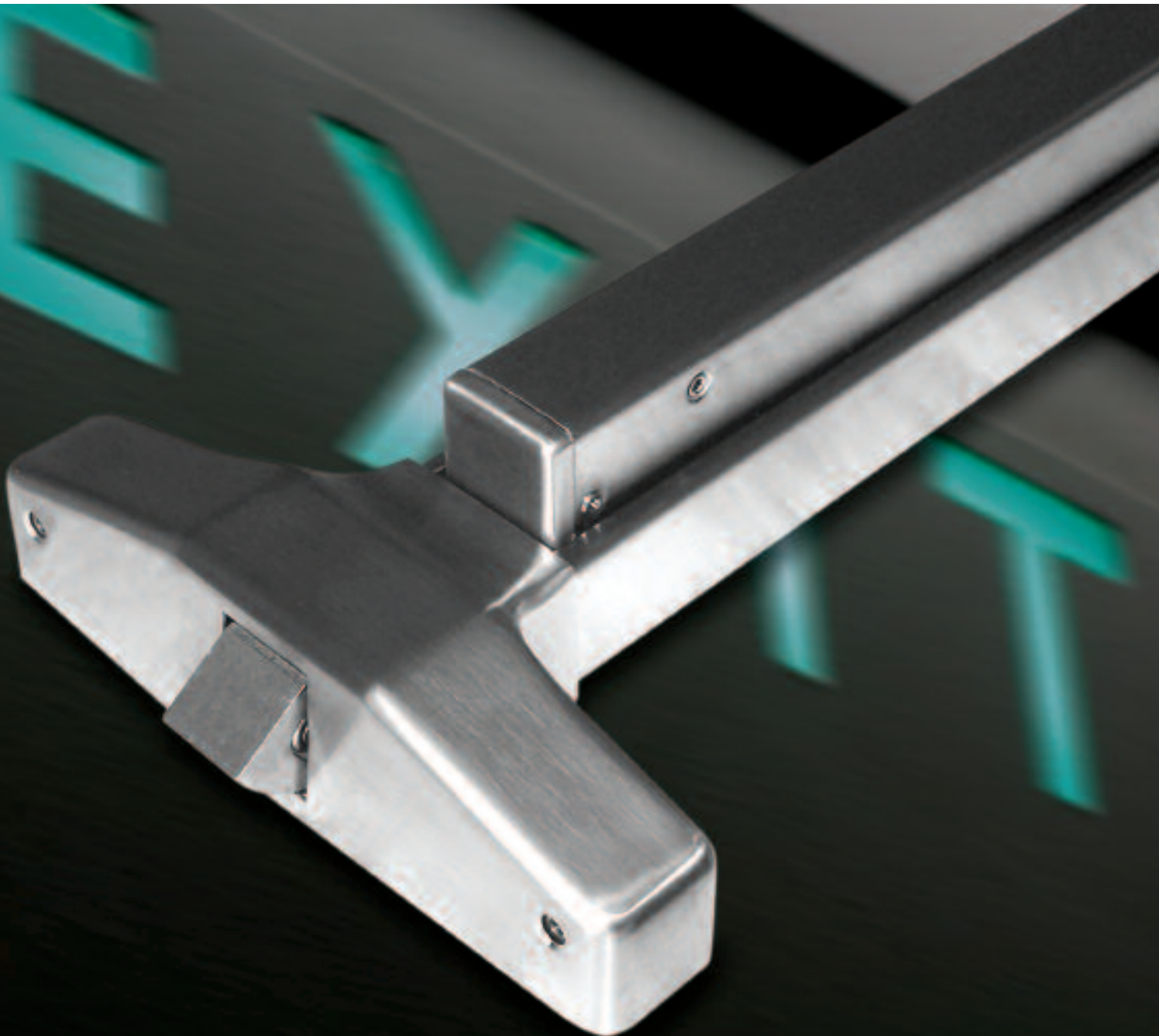


FALCON

*Falcon
Monarch
Dor-O-Matic*

Monarch 17 Series

Touch Bar Exit Device



THE FALCON DIFFERENCE

S A F E T Y , S E C U R I T Y A N D U N C O M P R O M I S I N G V A L U E

At Falcon, we know that every product you sell not only has to meet local building codes, but also your expectations for performance and quality. We take your expectations seriously, and that's why we build our door hardware to deliver durability, convenience and unmatched value. After all, we've built our reputation on the same standards that you have – providing quality products at a reasonable price delivered on time. It's the way we do business and it's what makes Falcon door hardware a powerful choice no matter what your project.



MONARCH 17 SERIES



Specifically designed for narrow stile doors, the 17 Series delivers trustworthy performance and a solid value. With an ANSI Grade 1 rating, available panic and electrified features, as well as a three-hour fire rating, the 17 Series is carefully crafted to meet the demands of a wide variety of applications. And since it's backed by one of the best names in the business you can be sure you're getting the utmost value and reliability.

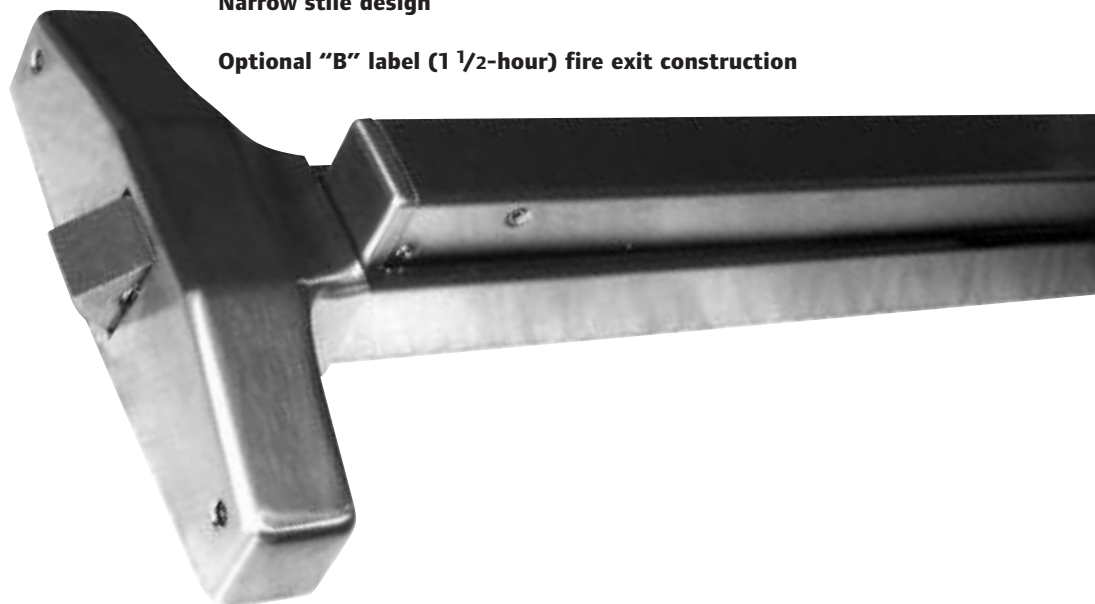
FEATURES

Available electrified and panic functions

Hand-polished finish that stands up to constant use

Narrow stile design

Optional "B" label (1 1/2-hour) fire exit construction



ADDITIONAL INFORMATION

How to Order Sequence Example

ELR F 17 V L-DANE US3 3' LHR LBR SNB WD

Prefixes

CD	Cylinder Dogging
AE	Touchbar Request to Exit
DM	Latchbolt and Device Monitor Switch
KOR	Key Bypass Switch
LK	Locking Trim Monitor Switch
LM	Latchbolt Status Switch
SM	Solenoid Action Monitor Switch
ED	Electric Dogging
ELR	Electric Latch Retraction
FSA	Electric Lock or Unlock Trim-Fail Safe
FSE	Electric Lock or Unlock Trim-Fail Secure

Rating

F	Fire Exit Hardware
Blank	Panic Exit Hardware

Device Series

17	Touch Bar Device, Narrow Stile
----	--------------------------------

Device Type

R	Rim	C	Concealed Vertical rod
V	Surface Vertical Rod	C-WDC	Concealed Vertical rod Wood Door (20 or 90 Min)

Trim Function *(see Trim pages for all functions)*

EO	Exit Only	K	Knob
DT	Dummy Trim	L	Lever (Dane Standard)
NL	Night Latch	TL	Thumb Lever
C	Cylinder Trim Less Pull		
TP	Thumbpiece		

Latch Option

DL	Dead Locking
----	--------------

Finish

US3	US10	US26	US32
US4	US10B	US26D	US32D

Door Width

3'	Standard Default	2'	9" Touchbar
4'		2'5"	14" Touchbar
-	Specify Exact Door Width	3'6"	20" Touchbar

Handing

RHR	Right Hand Reverse
LHR	Left Hand Reverse

Less Bottom Rod

LBR	Less Bottom Rod
LBR-AFL	LBR w/Auxiliary Fire Latch

Other Device Options

EA	Exit Alarm	RBB	Round Bottom Bolt	SSTB	Stainless Steel Touch Bar
HWEA	Exit Alarm-Hard Wired	VRP	Black Pad on Touch Bar	TAC	Tactile Warning

Accessories


CYL	Cylinder	SNB	Sex Bolts
SK	Shim Kit	AMS	All Machine Screws

Other Miscellaneous Door Information

HMD	Hollow Metal Door	SCDC	Steel Channel Door Construction	-	Door Label (20 min, 45 min, 90 min 1-1/2 hr)
HMF	Hollow Metal Frame	-	Specify other Door or Frame	-	Stile Width
WD	Wood Door	-	Material information	-	Frame Stop Height
WDF	Wood Frame	-	Door Height	SGL	Single Door
ALD	Aluminum Door	-	Door Thickness	PR	Pair of Doors Swinging Same Direction
ALF	Aluminum Frame	-	Door Undercut		

DOOR APPLICATION

Label Doors

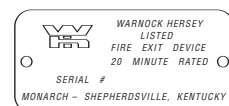
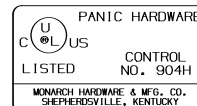
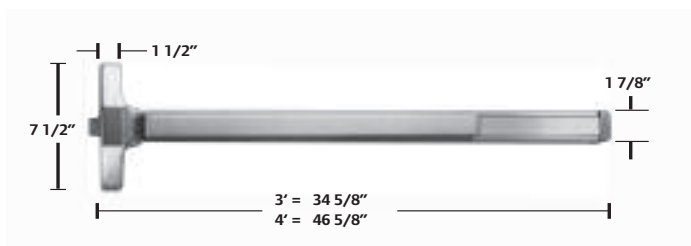
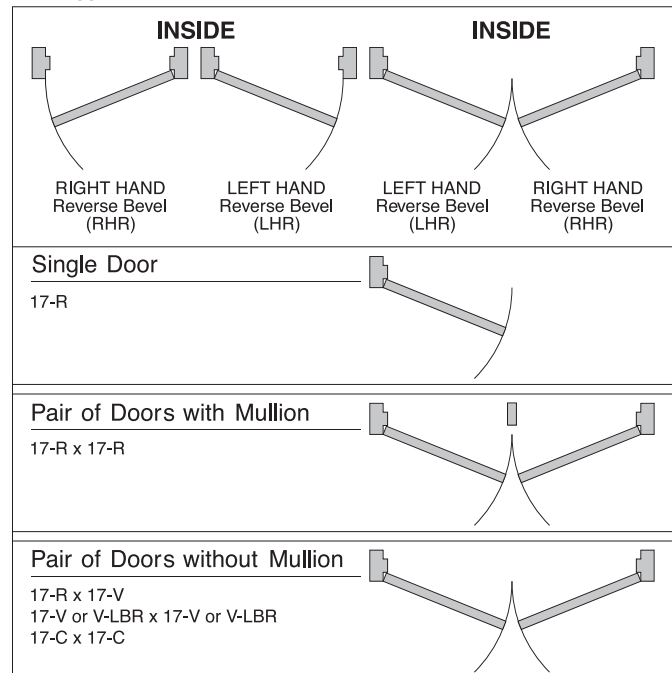
Monarch models F-17-R, F-17-C and F-17-V are labeled for use as  Fire Exit Hardware. UL and Warnock Hersey listed.

Door Thickness

All devices and components supplied for 1 3/4" – 3'0" x 7'0" doors standard. Specify door thickness if other than 1 3/4".

DEVICE	Label	Door Opening	Application
Hollow Metal Door			
F-17-R	1 1/2 hr. "B"	4' x 8'	Single
F-17-V	3 hr. "A"	8' x 10'	Pair, double egress, same egress F-17-V x F-17-V
F-17-C	3 hr. "A"	8' x 10'	Pair, double, egress, same egress F-17-C x F-17-C
F-17-V-LBR	3 hr. "A"	8' x 8'	Pair, double, egress, same egress
F-17-C-LBR	3 hr. "A"	8' x 8'	Pair, double, egress, same egress
Wood Door			
F-17-C-WDC	45 min. "B"	8' x 8'	Pair, wood comp., double egress steel channel door construction (SCDC)
F-17-C-WDC	1 1/2 hr. "B"	8' x 8'	Pair, wood comp., same egress steel channel door construction (SCDC)
F-17-C-WDC	20 min.	8' x 9'	Pair, wood comp., same egress Warnok Hersey (reinforcement plates)
F-17-C-WDC-LBR	20 min.	8' x 9'	Pair, wood, same egress, Warnok Hersey (reinforcement plates)
F-17-V-LBR	20 min.	8' x 8'	Wood comp., single, double egress, same egress
F-17-V	90 min.	8' x 8'	Pair, double egress, same egress, consult door manufacturer for approval

Door Application Chart



Product information and specifications contained in this catalog are subject to change without notice. Please consult the factory.

NON-HANDED RIM DEVICE 17-R SERIES

Panic Exit Hardware

The Monarch 17-R Series Rim Device is produced to meet the demanding requirements of higher traffic installations. This device is a single point, rim type latch with a modern pushbar design.



DEVICE	Length	Strike	Min. Stile	Door Opening Width
17-R-EO	3'	565 Flush	1 $\frac{3}{4}$ "	2'5 $\frac{1}{2}$ " to 3'0"
		565	2 $\frac{3}{4}$ "	2'6" to 3'0"
		F570/490	3 $\frac{1}{2}$ "	2'6 $\frac{1}{2}$ " to 3'0"
17-R-EO	4'	565 Flush	1 $\frac{3}{4}$ "	3'0" to 4'0"
		565	2 $\frac{3}{4}$ "	3'0" to 4'0"
		F570/490	3 $\frac{1}{2}$ "	3'1 $\frac{1}{2}$ " to 4'0"

Note: Cylinder dogging add 2 $\frac{1}{4}$ " to minimum door width.
Exit alarm and electric dogging add 4 $\frac{1}{2}$ " to minimum door width.

Specifications

Hand:	Non-Handed.
Functions:	17-R-"EO" (Exit Only) has all functions built in. Order trim with the device, or add it later. See Trim Selection Chart on pages 14 and 15.
Finishes:	US3 (605); US4 (606); US10 (612); US10B (613); US26 (625); US26D (626); US32 (629); US32D (630)
Strikes:	F570 adjustable strike standard. 565, F490 and 571/571A optional. 4396 used on 4423 mullion.
Latchbolt:	Stainless steel, $\frac{3}{4}$ " throw.
Deadlocking Latchbolt:	Optional. Specify "DL" prefix.
Dogging Feature:	$\frac{1}{2}$ turn hex dogging standard. No threaded parts to wear out.
Cylinder Dogging:	Specify "CD" prefix. Uses 1 $\frac{1}{8}$ " long mortise cylinder with standard cam.
Stock Sizes:	See chart to left.
Doors:	1 $\frac{3}{4}$ " thick, wood or metal. Specify thickness if other than 1 $\frac{3}{4}$ ".
Projection:	2 $\frac{3}{8}$ " maximum, 1 $\frac{1}{8}$ " dogged.
Mounting Height:	40" from CL to finished floor.
Electric Function:	Can be interfaced with building security systems. Latch retraction, lock/unlock, security monitoring, electric dogging, exit indicator, latch retract indicator and exit alarm available (ELR and ED supplied fail secure.) Subject to code requirements, state and local. (See separate electrical brochure.)
Fasteners:	All mounting screws are concealed. Sheet metal screws standard. Machine screws available, specify AMS.
Sex Bolts:	1-#4122 ($\frac{1}{4}$ -20) SNB supplied standard. When device is used with hollow core wood, composite or light gauge Hollow Metal doors, specify 2-#2729 (10-24) SNB and 2-#4122 ($\frac{1}{4}$ -20). When through-bolted trim is used, 1-#4122 ($\frac{1}{4}$ -20) SNB supplied standard.
ANSI:	Certified ANSI A156.3-2001 Grade 1 standards.
Center Case & Working Parts:	Wrought steel with heavy wrought and sintered metal parts.
Shim Kit:	For glass lite application, specify SK17-R- $\frac{1}{4}$.



NON-HANDED RIM DEVICE F-17-R SERIES

Fire Exit Hardware

The Monarch F-17-R Series Fire Rated Rim Device is produced with the demanding standards required for a quality fire rated device. The investment cast ductile iron chassis, stainless steel latchbolt and standard deadlocking features ensure years of reliable service in high traffic installations. The F-17-R device is a single point, rim type latch with a modern pushbar design.



DEVICE	Length	Strike	Min. Stile	Door Opening Width
F-17-R-EO	3"	F570/ F490	3½"	2'6½" TO 3'0"
F-17-R-EO	4"	F570/ F490	3½"	3'½" TO 4'0"

Note: Exit alarm and electric dogging add 4½" to minimum door width.

Specifications

Hand: Non-Handed.

UL: "B" label (1½ hr.); 4'0" x 8'0".

Functions: F-17-R-"EO" (Exit Only) has all functions built in. Order trim with the device, or add it later. See Trim Selection Chart on pages 14 and 15.

Finishes: US3 (605); US4 (606); US10 (612); US10B (613); US26 (625); US26D (626); US32 (629); US32D (630).

Strikes: Stainless steel, F570 or F490.

Latchbolt: Stainless steel, ¾" throw.

Deadlocking Latchbolt: Standard.

Stock Sizes: See chart to left.

Doors: 1¾" thick, wood or metal. Specify thickness if other than 1¾". (SNB must be specified on wood or composite doors.)

Projection: 2¾" maximum.

Mounting Height: 40" from CL to finished floor.

Electric Function: Can be interfaced with building security systems. Latch retraction, lock/unlock, security monitoring, electric dogging, exit indicator, latch retract indicator and exit alarm available (ELR and ED supplied fail secure.) Subject to code requirements, state and local. (See separate electrical brochure.)

Fasteners: All mounting screws are concealed. Furnished with all machine screws.

Sex Bolts: 1-#4122 (¼-20) SNB standard. When used with wood, composite or non-reinforced Hollow Metal, sex bolts must be specified; 2-#2729 (10-24) SNB and 2-#4122 (¼-20) are required. If through-bolted trim is used, 1-#4122 (¼-20) SNB supplied standard.

ANSI: Certified ANSI A156.3-2001 Grade 1 standards.

Center Case & Working Parts: Investment-cast ferrous alloy with heavy wrought and sintered metal parts.

Shim Kit: For glass lite application, specify SK17-R-¼.



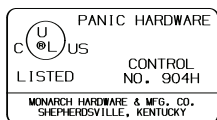
REVERSIBLE VERTICAL ROD DEVICE 17-V SERIES

Panic Exit Hardware

The Monarch 17-V Series Vertical Rod Device is produced to meet the demanding requirements of higher traffic installations. The 17-V is a surface applied (including strikes) vertical rod type with a modern pushbar design.

DEVICE	Length	Strike	Min. Stile	Door Opening Width
17-V-EO	3'	3788	1¾"	2'5¼" to 3'0"
		3788	3½"	2'6¾" to 3'0"
17-V-EO	4'	3788	1¾"	3'0" to 4'0"
		3788	3½"	3'¾" to 4'0"

Note: Cylinder dogging add 2¼" to minimum door width. Exit alarm and electric dogging add 4½" to minimum door width.



Specifications

Hand:	Field reversible.
Functions:	17-V-EO (Exit Only) has all functions built in. Order trim with the device, or add it later. See Trim Selection Chart on pages 14 and 15.
Finishes:	US3 (605); US4 (606); US10 (612); US10B (613); US26 (625); US26D (626); US32 (629); US32D (630).
Strikes:	3788 top strike is surface applied, 2130 bottom strike is mortised into floor.
Angle Bracket:	Use 4215 angle bracket in flush transom installations. Allows use of standard 3788 strike.
Latchbolt:	Top stainless steel, top latch ¾" throw. bottom bolt ½" throw.
Deadlocking Latchbolt:	Standard.
Latch Retention Hold:	Standard with top latch.
Dogging Feature:	½ turn hex dogging standard. No threaded part to wear out.
Cylinder Dogging:	Specify "CD" prefix. Uses 1½" long mortise cylinder with standard cam.
Stock Sizes:	See chart to left.
Doors:	1¾" thick, wood or metal. Specify if other than 1¾" thick.
Projection:	2¾" maximum, 1⅞" dogged.
Stile:	1¾" minimum when used in pairs.
Electric Function:	Can be interfaced with building security systems. Latch retraction, lock/unlock, security monitoring, electric dogging, exit indicator, latch retract indicator and exit alarm available (ELR and ED supplied fail secure). Subject to code requirements, state and local. (See separate electrical brochure.)
Fasteners:	All mounting screws are concealed, sheet metal screws standard, machine screws available, specify AMS.
Sex Bolts:	1-#4122 (¼-20) SNB, supplied standard. When device is used with hollow core, composite or light gauge Hollow Metal, specify 6-#2729 (10-24) SNB and 2-#4122 (¼-20). When used with through-bolted trim use 2729 SNB's only.
ANSI:	Certified ANSI A156.3-2001 Grade 1 standards.
17-V:	Latch Retention (LR) top latch and bottom square bolt. 3788 strike top, 2130 flush strike bottom.
17-V-LBR:	Less bottom rod vertical device.
Vertical Rods:	Furnished to length based on a 40" horizontal CL from finished floor and a 7'0" door standard. Variations from these standards must be specified when ordering.
Shim Kit:	For glass lite application, specify SK17-V-¼.

REVERSIBLE VERTICAL ROD DEVICE F-17-V SERIES

Fire Exit Hardware

The Monarch F-17-V Series Fire Rated Vertical Rod Device is produced to meet demanding requirements of higher traffic installations. The F-17-V is a surface applied (including strikes) vertical rod type with a modern pushbar design with top latches deadlocking feature.

DEVICE	Length	Strike	Min. Stile	Door Opening Width
F-17-V-EO	3'	3788	1¾"	2'5¾" to 3'0"
		3788	3½"	2'6¾" to 3'0"
F-17-V-EO	4'	3788	1¾"	3'0" to 4'0"
		3788	3½"	3'¾" to 4'0"

Note: Exit alarm and electric dogging add 4½" to minimum door width.



Latch retention hold is in the top latch. Retainer is released when it engages the strike. The door is in the closed position.



Specifications

Hand: Field reversible.

UL: "A" label (3 hr.); 8'0" x 10'0" double egress.

Functions: F-17-V-"EO" (Exit Only) has all functions built in. Order trim with the device, or add it later. See Trim Selection Chart on pages 14 and 15.

Finishes: US3 (605); US4 (606); US10 (612); US10B (613); US26 (625); US26D (626); US32 (629); US32D (630).

Strikes: 3788 top strikes are surface applied, 2130 bottom strike is mortised into floor.

Latchbolt: Stainless steel, top latch ¾" throw, bottom bolt ½" throw.

Latch Retention Hold: Standard with top latch.

Deadlocking Latchbolt: Standard.

Stock Sizes: See chart to left.

Doors: 1¾" thick, wood or metal. Specify if other than 1¾" thick.

Projection: 2¾" maximum.

Stile: 1¾" minimum when used in pairs. (Specify stile width.)

Electric Function: Can be interfaced with building security systems. Latch retraction, lock/unlock, security monitoring, electric dogging, exit indicator, latch retract indicator and exit alarm available (ELR and ED supplied fail secure). Subject to code requirements, state and local. (See separate electrical brochure.)

Fasteners: All mounting screws are concealed. All machine screws standard.

Sex Bolts: 1-#4122 (¼-20) SNB supplied standard. When device is used with wood, composite or non-reinforced Hollow Metal, specify 6-#2729 (10-24) SNB and 2-#4122 (¼-20). When used with through-bolted trim use 2729 SNB's only.

ANSI: Certified ANSI A156.3-2001 Grade 1 standards.

F-17-V: Latch Retention (LR) top latch and bottom square bolt. 3788 strike top, 2130 flush strike bottom.

F-17-V-LBR: Less bottom rod vertical device. "A" label, 8'0" x 8'0" double egress. (20 min. fire rating on wood doors.)

Vertical Rods: Furnished to length based on a 40" horizontal CL from finished floor and a 7'0" door standard. Variations from these standards must be specified when ordering.

Shim Kit: For glass lite application, specify SK17-V-¼.

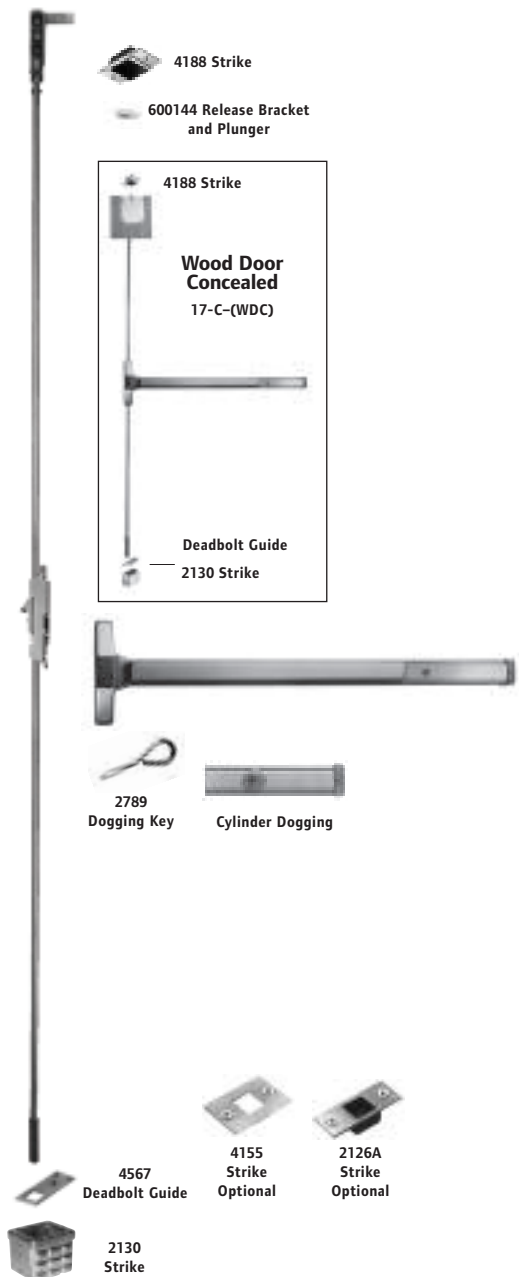
REVERSIBLE CONCEALED VERTICAL ROD DEVICE 17-C SERIES

Panic Exit Hardware

The Monarch 17-C Series Concealed Vertical Rod Device offers value and aesthetics with the security of two point latching. The 17-C device is a concealed vertical rod type with a modern pushbar design.

DEVICE	Length	Strike	Min. Stile	Door Opening Width
17-C-EO	3'	4188/2130	1 $\frac{3}{4}$ "	2'5 $\frac{1}{2}$ " to 3'0"
		4188/2130	4 $\frac{1}{2}$ "	2'7 $\frac{1}{2}$ " to 3'0"
17-C-EO	4'	4188/2130	1 $\frac{3}{4}$ "	3'0" to 4'0"
		4188/2130	3 $\frac{1}{2}$ "	3'1 $\frac{1}{2}$ " to 4'0"

Note: Cylinder dogging add 2 $\frac{1}{4}$ " to minimum door width. Exit alarm and electric dogging add 4 $\frac{1}{2}$ " to minimum door width.



Specifications

Hand:	Handed, specify when ordering.
Functions:	See Trim Selection Chart on pages 14 and 15. Delta trim only.
Finishes:	US3 (605); US4 (606); US10 (612); US10B (613); US26 (625); US26D (626); US32 (629); US32D (630).
Strikes:	4188 mortised top and 2130 flush strike bottom, optional bottom 2126A and 4155.
Latchbolt:	Top stainless steel $\frac{3}{8}$ " throw. Bottom bolt $\frac{1}{2}$ " throw.
Deadlocking Latchbolt:	Standard.
Latch Retention Hold:	Standard in top latch.
Dogging Feature:	$\frac{1}{2}$ turn hex dogging standard. No threaded parts to wear out.
Cylinder Dogging:	Specify "CD" prefix. Uses 1 $\frac{1}{8}$ " long mortise cylinder dogging with standard cam.
Stock Sizes:	See chart to left.
Doors:	1 $\frac{3}{4}$ " thick metal or wood. Specify if other than 1 $\frac{3}{4}$ " thick.
Projection:	2 $\frac{3}{8}$ " maximum, 1 $\frac{1}{8}$ " dogged.
Stile:	1 $\frac{3}{4}$ " minimum when used in pairs. (6" minimum on wood doors.)
Electric Function:	Can be interfaced with building security systems. Latch retraction, security monitoring, electric dogging, exit indicator, latch retract indicator and exit alarm available (ELR and ED supplied fail secure). Subject to code requirements, state and local. (See separate electrical brochure).
Fasteners:	All mounting screws are concealed, sheet metal screws standard, machine screws available, specify AMS.
Sex Bolts:	1-#4122 ($\frac{1}{4}$ -20) SNB supplied standard. When light gauge Hollow Metal doors are used, specify 2-#4122 ($\frac{1}{4}$ -20) SNB. With through-bolted trim use 1-#4122 ($\frac{1}{4}$ -20) SNB supplied.
ANSI:	Certified ANSI A156.3-2001 Grade 1 standards.
WDC:	Reinforcement plates supplied standard.
17-C-LBR, 17-C-WDC-LBR:	Less bottom rod concealed vertical device.
Vertical Rods:	Furnished to length based on 40" horizontal CL to finished floor and a 7'0" door. Variations from these standards must be specified when ordering.
Patented Centerslide:	For ease of adjustment.
Shim Kit:	For glass lite application, specify SK17-C- $\frac{1}{4}$.



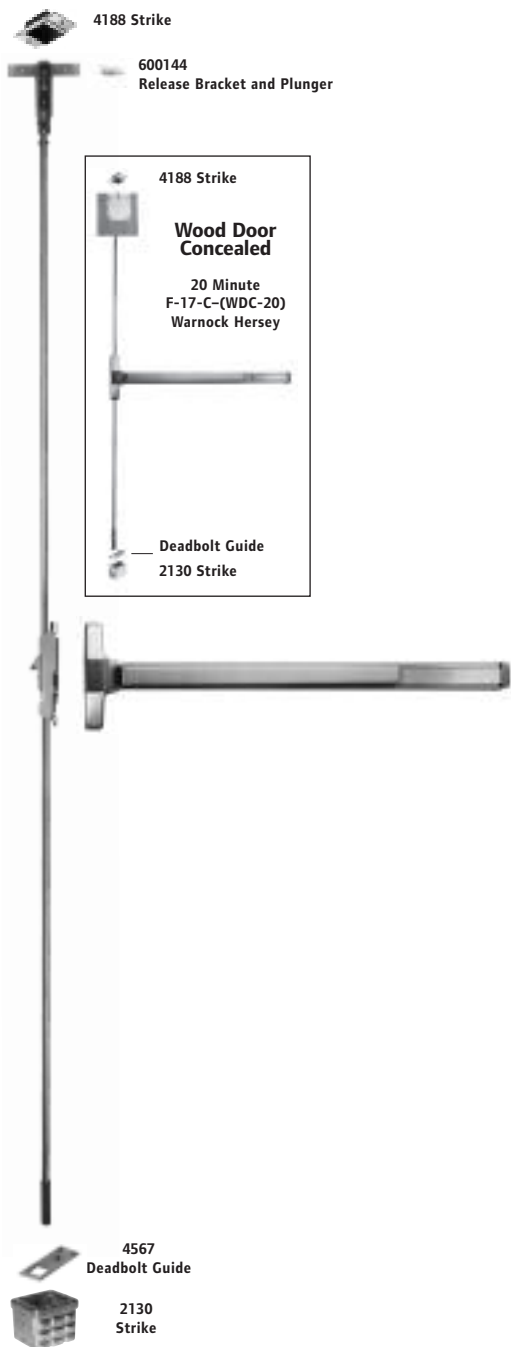
REVERSIBLE CONCEALED VERTICAL ROD DEVICE F-17-C SERIES

🔥 Fire Exit Hardware

The Monarch F-17-C Series 🔥 Fire Rated Concealed Vertical Rod Device offers value and aesthetics with the security of two point latching. The F-17-C device is a concealed vertical rod type with a modern pushbar design.

DEVICE	Length	Strike	Min. Stile	Door Opening Width
F-17-C-EO	3'	4188/2130	4"	2'8" to 3'0"
F-17-C-EO	4'	4188/2130	4"	3'¼" to 4'0"

Note: Exit alarm and electric dogging add 4½" to minimum door width.



Specifications

Hand: Handed, specify when ordering.

UL: "A" label (3 hr.); 8'0" x 10'0". Fire rated wood concealed 4'0" x 8'0" single, 90 min.; 8'0" x 8'0" double egress, 45 min. Specify (WDC-90). 20 min. wood doors, 8'0" x 9'0" specify (WDC-20 Warnock Hersey Label).

Functions: See Trim Selection Chart on pages 14 and 15. Delta trim only.

Finishes: US3 (605); US4 (606); US10 (612); US10B (613); US26 (625); US26D (626); US32 (629); US32D (630).

Strikes: 4188 mortised top, 2130 flush strike bottom.

Latchbolt: Top stainless steel, ¾" throw. Bottom bolt ½" throw.

Deadlocking Latchbolt: Standard.

Latch Retention Hold: Standard in top latch.

Stock Sizes: See chart to left.

Doors: 1¾" thick metal. Specify if other than 1¾" thick.

Projection: 2¾" maximum.

Stile: 4" minimum when used in pairs. (6" minimum on wood doors.)

Electric Function: Can be interfaced with building security systems. Latch retraction, security monitoring, electric dogging, exit indicator, latch retract indicator and exit alarm available (ELR and ED supplied fail secure). Subject to code requirements, state and local. (See separate electrical brochure).

Fasteners: All mounting screws are concealed. All machine screws standard.

Sex Bolts: 1-#4122 (¼-20) SNB supplied standard. When non-reinforced Hollow Metal doors are used, specify 2-#4122 (¼-20) SNB. With through-bolted trim use 1-#4122 (¼-20) SNB supplied.

ANSI: Certified ANSI A156.3-2001 Grade 1 standards.

WDC-20: Reinforcement plates supplied standard for 20 min. doors only.

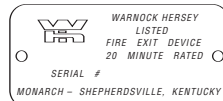
F-17-C-WDC-LBR: Less bottom rod vertical concealed device. Wood door 20 min., 4' x 9' and 8' x 9'. Top latch reinforcement plates.

F-17-C-LBR: Less bottom rod vertical device, "A" label, (3 hr.) 8'0" x 8'0", double egress.

Vertical Rods: Furnished to length based on 40" horizontal CL to finished floor and a 7'0" door. Variations from these standards must be specified when ordering.

Patented Centerslide: For ease of adjustment.

Shim Kit: For glass lite application, specify SK17-C-¼.





4023 Shown

Removable Mullion

- The 2923, 4023, KR4023 and 4423 steel mullions are for use with the 17-R devices on double door openings. Advantage: Increased security and tighter closure. Minimizes door warpage and sag. Regulates the flow of in-and-out traffic.
- Monarch removable mullions are easily removed and reinstalled for full width access.
- Rim devices are used on both leaves, attaining a perfectly symmetrical opening.
- The mullion assembly consists of a mullion, top and bottom mounting brackets and a screw pack. Soffit adapters are available for use with either the 2923, 4423 or the 4023 mullion. Please see Price Book for ordering information.
- Strikes are not furnished with the mullion (except 4423). Please see page 13 for strike information.
- Mullions may be cut on the job for doors under stock lengths.

Mullion Features

- Mullion fittings – ductile iron.
- 4023 – 2" x 3" x height.
- KR4023 cylinder removable mullion – 2" x 3" x height and uses 1¹/₄" mortise cylinder not furnished.
- 2923 mullion – 1¹/₂" x 2¹/₂" x height.
- 4423 mullion – T shape (1" on latch edge) supplied with 4396 adjustable strike.
- Prime coat only.
- 7' or 8' door opening standard, other door opening as specified.

Cylinders

Control Trim

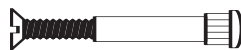
- Cylinders for 17-R, 17-V and 17-C Series devices are mortise cylinders with standard thread (1⁵/₃₂" – 32) and 1¹/₈" in length. The standard cams furnished with most manufacturers' mortise cylinders will operate Monarch exit devices (cams measure approximately 1" overall and 5⁵/₁₆" wide at tip).
Exception: 1) 17-C-C and 17-C-NL require 1" long cylinder by 1¹/₈" blocking ring and required cam supplied by Monarch.
2) 17-R and 17-R-NL, 17-V-C and 17-V-NL require rim cylinder.
- Cylinder supplied only when specified.
- 1¹/₈" long with standard cam and 'C' keyway only.
- Cylinders available keyed alike and keyed different.

Sex Bolts

Sex bolts are available in lengths (under the head) of 1²¹/₃₂". Screws to fit are available in 3³/₄" and 2" lengths to cover a wide range of door thicknesses.

2729 (#10-24 Thread)

4122 (1/4"-20 Thread)



STRIKES AND ACCESSORIES

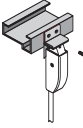





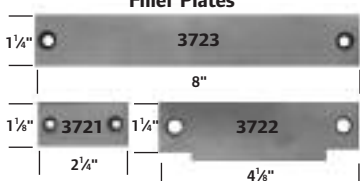
17 Series

Strikes


For (F) 17-R Rim Devices (center latching)

 <p>565 Adjustable surface mounted for use with blade or applied stops.</p>	 <p>F570 F490 F570/F490 Adjustable strike.</p>	 <p>571/571A Used on inactive leaf for device on active leaf of pair of doors without removable mullion. 571 keeps 2$\frac{1}{16}$" backset. 571A is trimmer and projects less into opening.</p>	 <p>579 Semi-surface strike which allows use of 17-R on narrower stile widths as low as 3$\frac{1}{2}$". Also used for low projection.</p>
---	---	---	---


For (F) 17 Surface Vertical Rod and Concealed Vertical Rod Devices

 <p>4215 Angle bracket for flush transom applications. Does not require elimination of latch retention feature.</p>	 <p>3788 Furnished top of (F)17-V.</p>	 <p>2126A (F)17-C and (F)17-V optional bottom strike.</p>	 <p>4188 Top strike for (F)17-C to be mounted into frame.</p>
 <p>4155 (F)17-C and (F)17-V optional bottom strike.</p>	 <p>2130 (F)17-V and (F)17-C standard bottom strike for grouting into concrete or masonry floors.</p>	<p>Filler Plates</p>  <p>3721/3722/3723 Steel Filler Plates 3721 Cylindrical Lock Front Filler 3722 ASA Strike Filler — set no. SC for 161 cutout 3723 Mortise Lock Front Filler 3722 ASA Strike Filler — set no. SM for 86 cutout</p>	

Surface Vertical Extension Rods

 <p>Extension rods are available in 12", 24" and 36" lengths in all finishes. Both ends tapped and all-thread included as connector.</p>

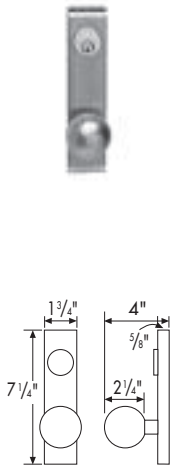
Concealed Vertical Extension Rods

 <p>Extension rods are available in 12", 24" and 36" lengths in black finish. Both ends have pressed-in, threaded inserts.</p>

TRIM DESIGNS

Brass, Bronze, Aluminum, Stainless and/or Plated finishes.

K Control (711K)



L Control (712L)



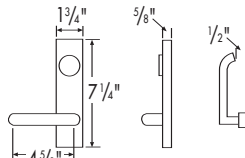
L-Control-Avalon

L-Control-Dane

L-Control-Sutro

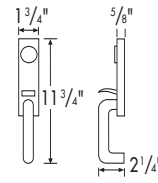


L-Control-Quantum

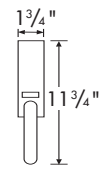


Projection: 2/4", Avalon and Dane
2 3/4", Sutro
3/4", Quantum

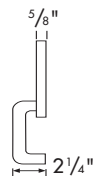
TP Control (710TP)



DT Control (710DT)



NL Control (710NL)



Dane, Quantum and Sutro levers return to within 1/2" of door.

Brass, Bronze, Aluminum, Stainless and/or Plated finishes.

Delta

1 1/2" mortise cylinder



719TL

719TLP

718TP

718DT

1" cylinder



718C

718NL

717DT

Specify Handing
All Delta pulls: 6 1/4" C x C
All Delta pulls: 2" projection
TLP, P, TP & DT: 13" overall length
TL: 7 1/4" L x 1 1/4" W x 1 1/2" Projection

Athena



715DT

Grip overall: 9"
Width: 1 3/8"
Pull: 6 1/4" C x C
Projection: 2 1/4"

For cylinder information see cylinder comparison catalog.
When locking function is not required, specify trim by (BE) blank escutcheon.

TRIM CHART

Athena	
DEVICE	DT
17-R	715
17-V	715

Control							
DEVICE	DT	NL	TP	TLP-BE	K	K-BE	K-DT
17-R	710	710	710	710	711	711	711
17-V	710	710	710	710	711	711	711
17-C	710	710	710	710	711	711	711

DEVICE	Avalon ¹			Dane ¹			Sutro ¹			Quantum ¹		
	L	L-BE	L-DT	L	L-BE	L-DT	L	L-BE	L-DT	L	L-BE	L-DT
17-R	712	712	712	712	712	712	712	712	712	712	712	712
17-V	712	712	712	712	712	712	712	712	712	712	712	712
17-C	712	712	712	712	712	712	712	712	712	712	712	712

Delta											
DEVICE	DT	NL	C	TP	TP-BE	DT	TL	TLP	TL-NL	TLP-NL	TL-BE
17-R	717	718	718	718	718	718					
17-V	717	718	718	718	718	718	719		719		719
17-C	717	718	718	718	718	718	719	719	719	719	

¹ Specify hand.

Note: For "NL" night latch function on TP, K and L add "NL" after trim number. All locking trim furnished less cylinder.

TYPE AND FUNCTIONS

These pages list all functions available for the 17 Series devices.

Functions (ANSI)	Rim Devices ANSI Type 4	Vertical Rod Devices ANSI Type 5	Concealed Vertical Rod Devices ANSI Type 6
	(F)-17-R	(F)-17-V	(F)-17-C
EO (01) Exit only, no trim.	 17-R-EO	 17-V-EO	 17-C-EO
DT (02) Entrance by trim when actuating bar is locked down. NOTE: Fire exit devices cannot be dogged down. Some codes permit electric dogging with fail secure circuitry.	 17-R-DT	 17-V-DT	 17-C-DT
NL (03) Entrance by trim when latchbolt is retracted by key. Key removable only when locked.	 17-R-NL	 17-V-NL	 17-C-P-NL
TP (05) Entrance by thumbpiece. Key locks or unlocks thumbpiece.	 17-R-TP	 17-V-TP	 17-C-TP

Fire Exit Hardware Use "F" Prefix for fire exit hardware.

Security Monitor Latch, device, solenoid, and authorized egress monitors. (See Electrified Hardware catalog.)

Electric Function Lock/unlock and/or latch retraction and/or electric dogging. (See Electrified Hardware catalog.)

TYPE AND FUNCTIONS

These pages list all functions available for the 17 Series devices.

Functions (ANSI)	Rim Devices ANSI Type 4	Vertical Rod Devices ANSI Type 5	Concealed Vertical Rod Devices ANSI Type 6
	(F)-17-R	(F)-17-V	(F)-17-C
TP (NL) (06) Entrance by thumbpiece only when released by key. Key removable only when locked.	 17-R-TP (NL)	 17-V-TP (NL)	 17-C-TP (NL)
L or K (08) Entrance by knob or lever. Key locks or unlocks knob.	 17-R-L or K	 17-V-L or K	 17-C-L or K
L (NL) or K (NL) (09) Entrance by knob or lever only when released by key. Key removable only when locked.	 17-R-L or K(NL)	 17-V-L or K(NL)	 17-C-L or K(NL)
TLP or TL (11) Entrance by control turnpiece. Key locks or unlocks control.		 17-V-TL	 17-C-TLP or TL
TLP (NL) or TL (NL) (12) Entrance by control turnpiece only when released by turning key. Key removable only when locked.		 17-V-TL(NL)	 17-C-TLP or TL(NL)

Fire Exit Hardware Use "F" Prefix for fire exit hardware.

Security Monitor Latch, device, solenoid, and authorized egress monitors. (See Electrified Hardware catalog.)

Electric Function Lock/unlock and/or latch retraction and/or electric dogging. (See Electrified Hardware catalog.)



Ingersoll Rand's Security Technologies Sector is a leading global provider of products and services that make environments safe, secure and productive. The Sector's market-leading products include electronic and biometric access control systems; time and attendance and personnel scheduling systems; mechanical locks and portable security, door closers and exit devices, steel doors and frames, architectural hardware and technologies and services for global security markets.

www.falcon.ingersollrand.com